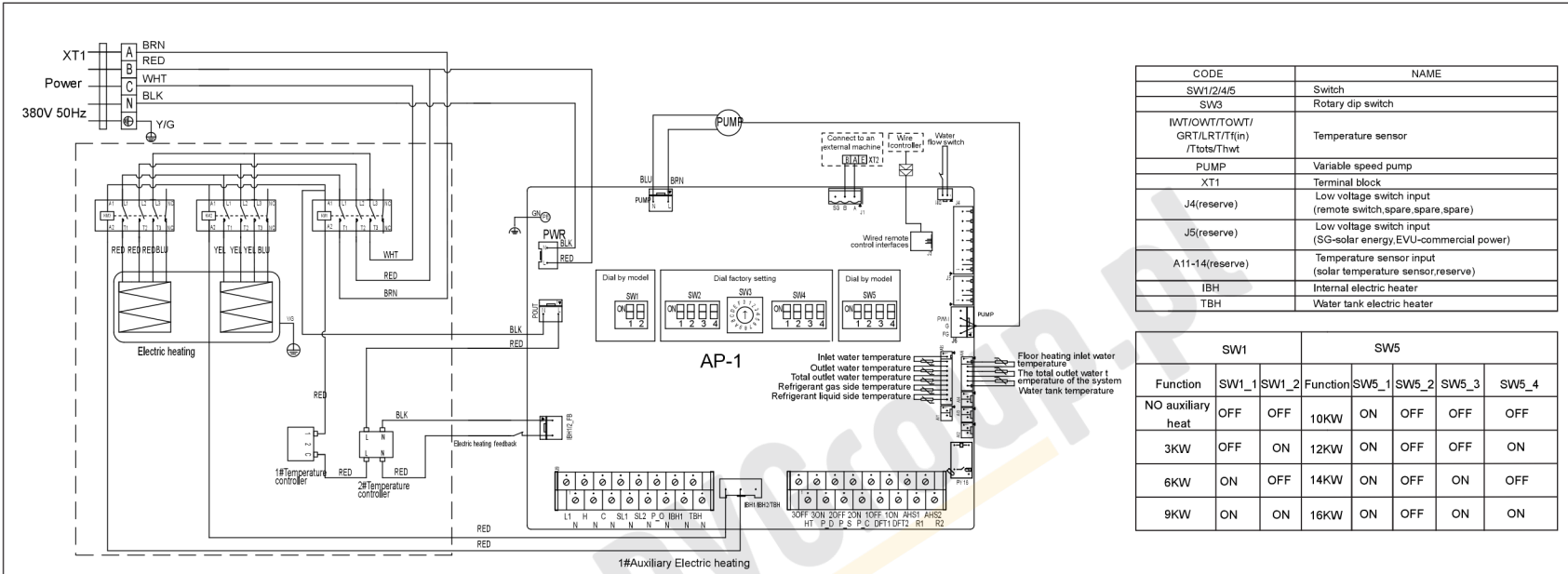




Schemat podłączenia jednostki wewnętrznej z grzałką 3 fazową



CODE	NAME
SW1/2/4/5	Switch
SW3	Rotary dip switch
IWT/IOWT/TOWT/ GRT/LRT/Tf(in) /Tots/Thwt	Temperature sensor
PUMP	Variable speed pump
XT1	Terminal block
J4(reserve)	Low voltage switch input (remote switch, spare, spare)
J5(reserve)	Low voltage switch input (SG-solar energy, EVU-commercial power)
A11-14(reserve)	Temperature sensor input (solar temperature sensor, reserve)
IBH	Internal electric heater
TBH	Water tank electric heater

Function	SW1		SW5				
	SW1_1	SW1_2	Function	SW5_1	SW5_2	SW5_3	SW5_4
NO auxiliary heat	OFF	OFF	10KW	ON	OFF	OFF	OFF
3KW	OFF	ON	12KW	ON	OFF	OFF	ON
6KW	ON	OFF	14KW	ON	OFF	ON	OFF
9KW	ON	ON	16KW	ON	OFF	ON	ON

